



WPD2-300-1800-K3-N

2-Way, 0.3~1.8GHz

Features:

- * Small Size
- * Low Insertion Loss

Applications:

- * Amplifiers
- * Mixers
- * Antennas
- * Laboratory Test

Electrical

Frequency:	0.3~1.8GHz
Insertion Loss:	0.6dB max.
Input VSWR:	1.3 max.
Output VSWR:	1.2 max.
Isolation:	18dB min.
Amplitude Balance:	0.2dB max.
Phase Balance:	±2°
Impedance:	50Ω
Average Power:	300W max. as divider 30W max. as combiner

Mechanical

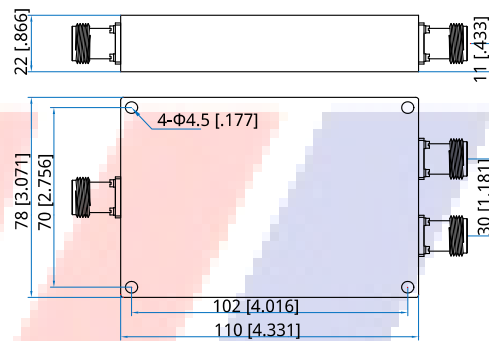
Size ^{*1} :	110*78*22mm 4.331*3.071*0.866in
Weight:	325g
Connectors:	N Female
Mounting:	4-Φ4.5mm through-hole

[1] Exclude connectors.

Environmental

Operation Temperature:	-35~+75°C
------------------------	-----------

Outline Drawings



Unit: mm [in]

Tolerance: ±0.5mm [±0.02in]

How To Order

WPD2-300-1800-K3-N

Customization is available upon request.