



WAVK

1.85mm to 2.92mm

Features:
* Low VSWR

Applications:
* Wireless
* Transmitter
* Laboratory Test
* Radar

Electrical

Frequency:	DC~40GHz
VSWR:	1.15 max. 1.25 max. (right angle)
Insertion Loss:	0.26dB max. 0.4dB max. (right angle)
Impedance:	50Ω

Mechanical

RF Connectors:	1.85mm 2.92mm
Mating Life Cycle:	500 cycles
Outer Conductor:	Passivated Stainless Steel
Dielectric:	PEI
Inner Conductor:	Gold Plated Beryllium Copper

Environmental

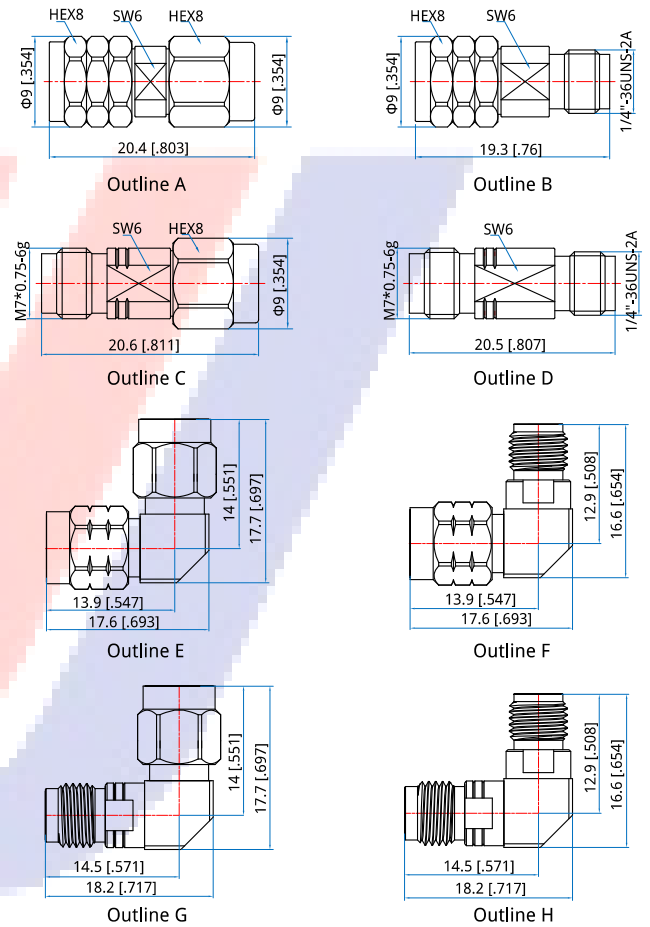
Temperature: -55~+165°C

How To Order

- WAVK-MM** - 1.85mm(m) to 2.92mm(m), Outline A
- WAVK-MF** - 1.85mm(m) to 2.92mm(f), Outline B
- WAVK-FM** - 1.85mm(f) to 2.92mm(m), Outline C
- WAVK-FF** - 1.85mm(f) to 2.92mm(f), Outline D
- WAVKR-MM** - 1.85mm(m) to 2.92mm(m), right angle, Outline E
- WAVKR-MF** - 1.85mm(m) to 2.92mm(f), right angle, Outline F
- WAVKR-FM** - 1.85mm(f) to 2.92mm(m), right angle, Outline G
- WAVKR-FF** - 1.85mm(f) to 2.92mm(f), right angle, Outline H

Customization is available upon request.

Outline Drawings



Unit: mm [in]
Tolerance: $\pm 0.2\text{mm}$ [$\pm 0.008\text{in}$]